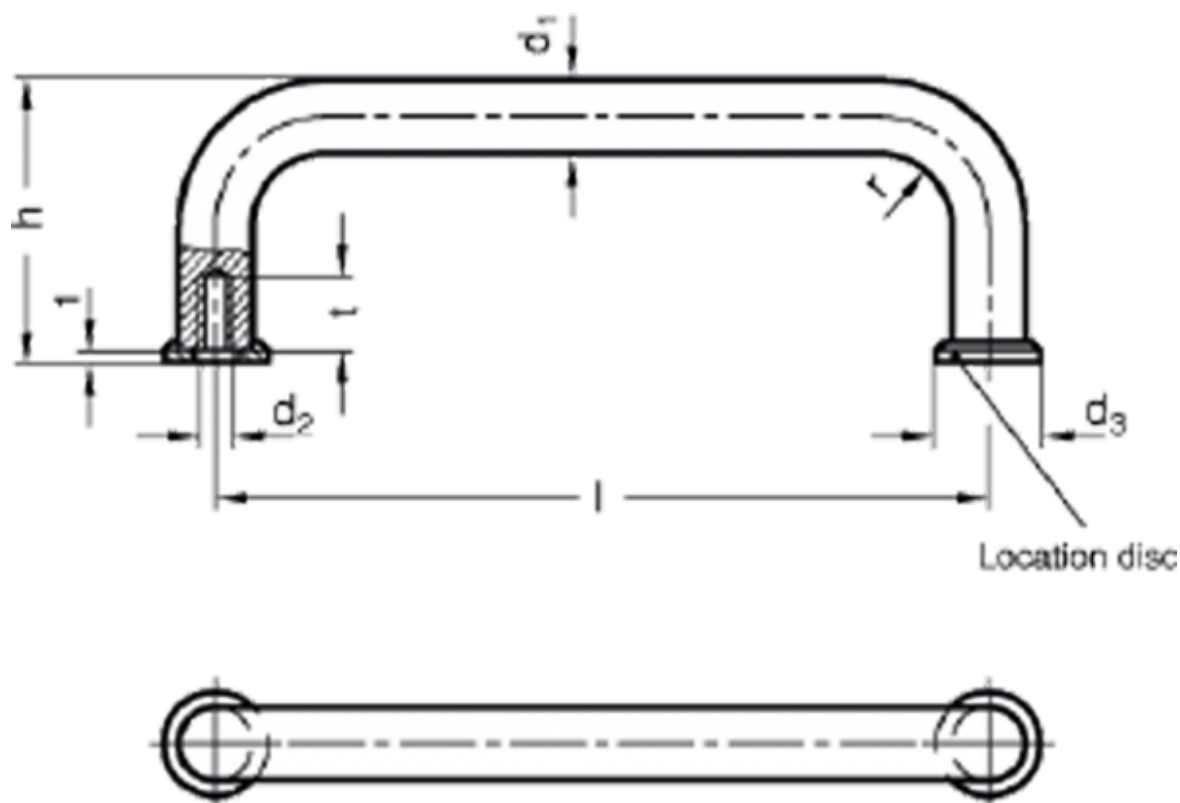


Article number: 20425NI16250GS

Description: E+G U-handle GN 425-NI-16-250-GS

## Measures



d1 = 16  
d2 = M6  
d3 =  
h = 59  
l = 250  
r = 18  
t = 12